



ENGINEERING & CONSTRUCTION

AN ISO 9001 : 2008 CERTIFIED COMPANY

Grow & Grow Together



Company Profile

**RSN ENGINEERING & CONSTRUCTION
COMPANY PRIVATE LIMITED**

www.rsnecc.com

Ph : +91 44 24825527

E-Mail: info@rsnecc.com



About us

RSN Engineering and Construction (RSNECC) is a leading and Global EPC (Engineering, Procurement and Construction) company based in Chennai, Tamilnadu, India. We have provided EPC services and have established a strong reputation within our markets for executing large complex projects and for providing turnkey solutions to our clients. RSNECC's approach and methodology towards construction management and its Streamlined, cost-effective, state-of-the-art systems & processes have helped the company to deliver projects on time and within budget, while adhering to strict quality control and safety measures.

At RSNECC, we thrive on executing complex projects in challenging locations. As a multi-disciplinary organization we believe in continuous learning and deploy our cumulative experiences and knowledge in executing projects and use our skills and experiences to develop innovative engineering solutions.

Services Portfolio

EPCM services covers

- Engineering
- Procurement
- Fabrication
- Construction Management
- Project Management
- Man Power Consultancy



ENGINEERING SERVICES



ENGINEERING & CONSTRUCTION
AN ISO 9001 : 2008 CERTIFIED COMPANY

**RSN ENGINEERING & CONSTRUCTION
COMPANY PVT LTD**

INDUSTRIES

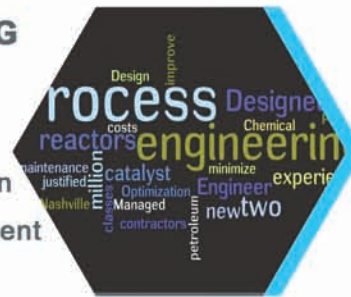
- Oil and gas (Off Shore & On Shore)
- Hydrocarbon
- Refineries
- Petrochemicals
- Power Plants
- Chemical Industries
- Sugar Plant
- Cement Plant

SERVICES

- Process Engineering
- Piping Engineering
- Pipeline Engineering
- Civil & Structural Engineering
- Infrastructure Engineering
- Loss Prevention Engineering
- Risk Study
- HAZID / HAZOP / SIL

PROCESS ENGINEERING

- Hydraulic Calculation
- Surge Analysis
- Pressure Drop Calculation
- PFD and P&ID Development
- Flare system design



PIPING ENGINEERING

- 3D Modelling & Plant Layout
- Stress Analysis
- Pipe Support Design & Drawing
- Equipment Selection

INSTRUMENTATION

- Instrumentation Control
- System Architect
- SCADA & PLC Programing
- DCS
- Fire Alarm System



ELECTRICAL ENGINEERING

- Substation Design
- HV & LV Electrical Design
- 11 KV & 33 KV Transmission and Distribution system
- Switch Yard
- CYME power Study
- Earthing & CP System

CIVIL & STRUCTURAL

- Support Design
- Sleepers & Pipe Supports
- Equipment Foundation (Static & Dynamic)
- Building Design
- Warehouse & Workshop Design
- Culverts & Roads Design
- Piperack & Access Platforms Design

MECHANICAL ENGINEERING

- Fixed & Floating Roof (API 650/651) Tanks
- Rotating Equipment Design
- Static Equipment Design



SOFTWARE USED IN ENGINEERING SECTOR

PIPING:

AUTOCAD, MICROSTATION , CADWORX, PDMS, CAESAR II & CAEPIPE, ROHR-2

ELECTICAL:

CYME / ETAP, DIALUX, AUTOCAD

CIVIL & STRUCTURAL:

AUTOCAD , STAAD PRO V8i, ANSYS, MAT 3D, Etabs, SAP2000, SAFE, Revit 3D, SACS

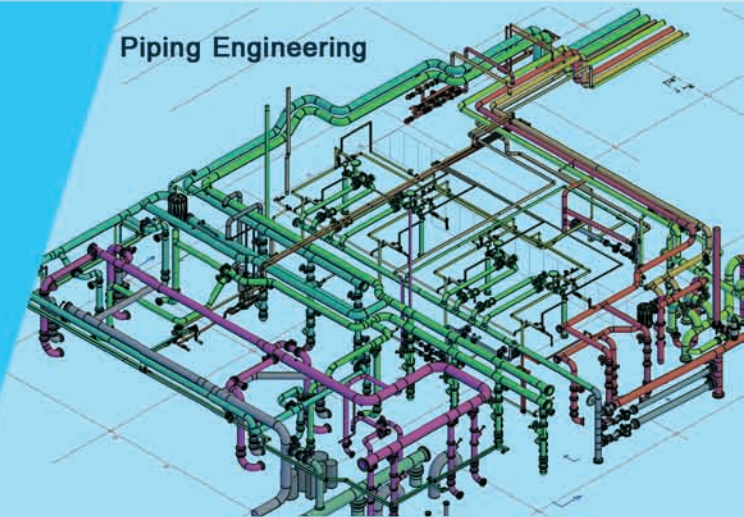
PROCESS:

TECHNICAL - ASPEN ONE, ASPEN PLUS, ASPEN HYSYS, ASPEN EDR, PIPENET, PIPESIM,PROSIM, HTRI, FLARESIM, FLARENET, WATER GEM

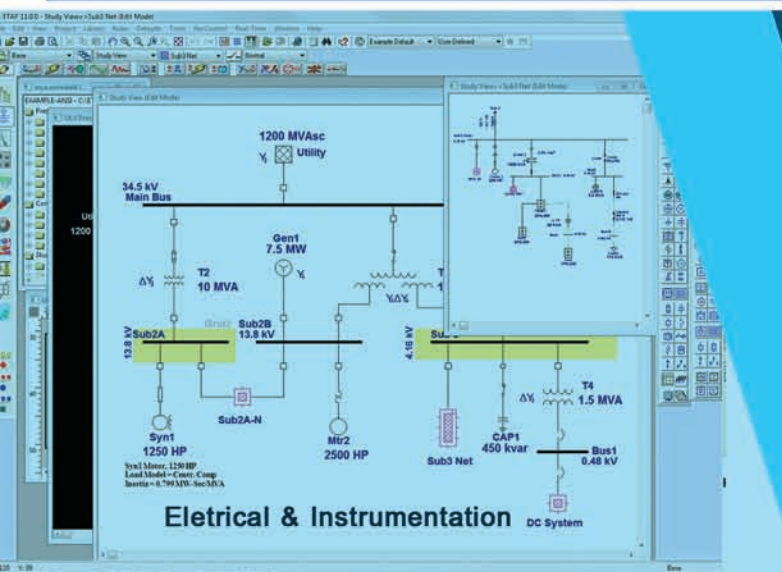
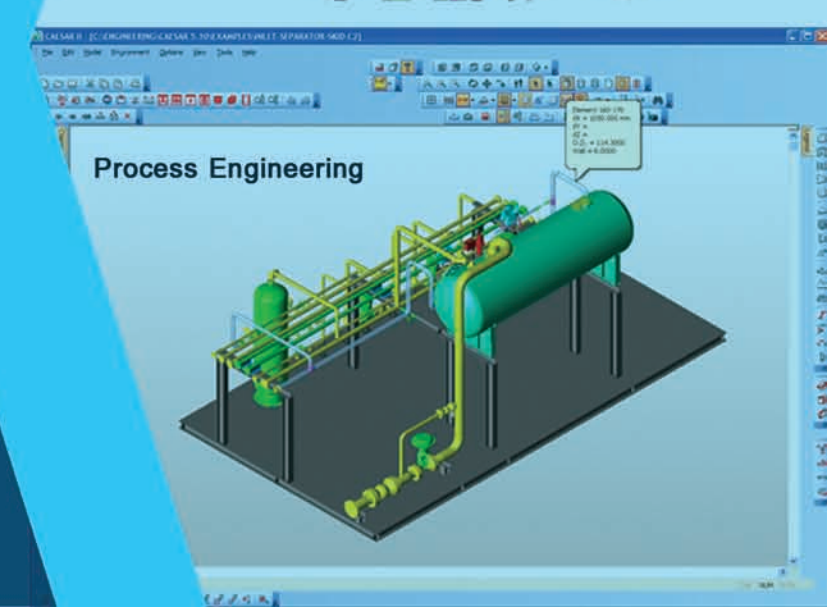
MECHANICAL:

PV ELITE, TANK3

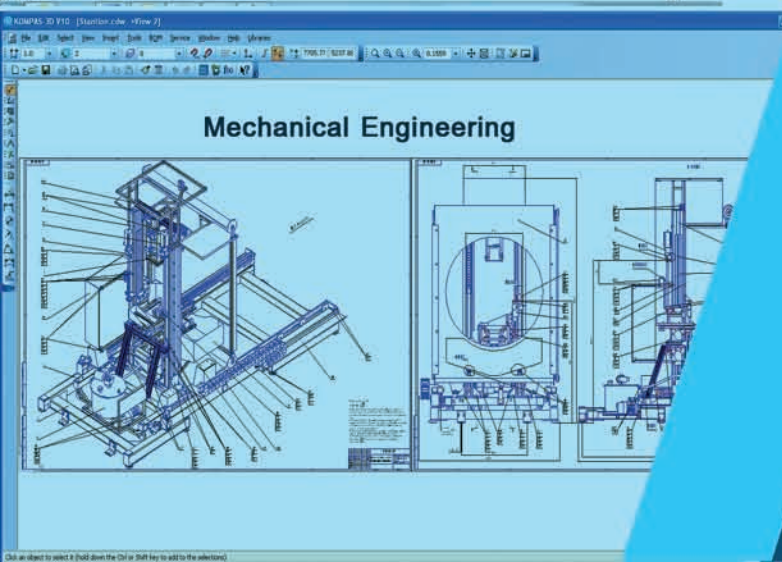
Piping Engineering



Process Engineering



Mechanical Engineering



INFRASTRUCTURE

- Roads
- Bridges
- Cable Trenches
- Drinages
- Buildings
- HVAC
- Security System
- Fire Water System
- Service Water System



EPC SERVICES



RSN ENGINEERING & CONSTRUCTION
COMPANY PVT LTD

FABRICATION MECHANICAL

- Heat Exchangers
- Expansion Bellows
- Process skids & arrangement
- Air & Flue Gas Ducting
- Storage Tanks
- Pressure Vessels
- Filters & Strainers
- Support Columns & Beam Structures
- Foundation Bolts
- Storage Bunkers
- Decanters
- Pipe Edge Preparation
- Welded fittings for Piping
- Conveyor Systems
- Surges & hoppers
- Acoustic Enclosures
- Bird Screen & Hoods
- Canopies for Equipment

FABRICATION ELECTRICAL

- Electrical Control & Relay Panels
- 11KV & 33KV Electrical Panel



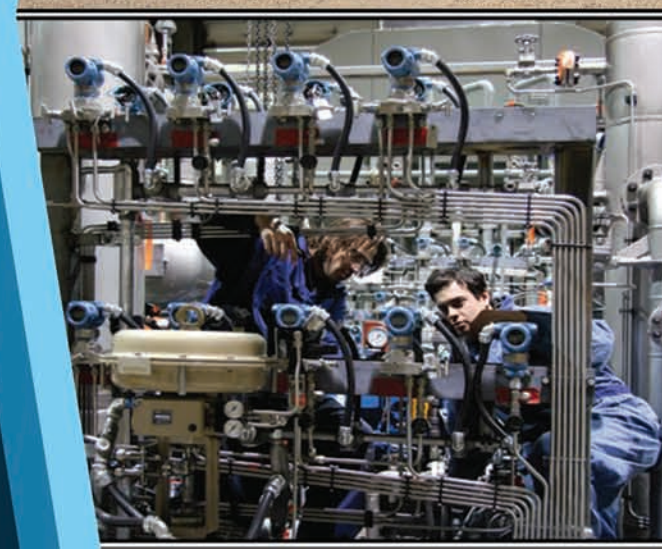
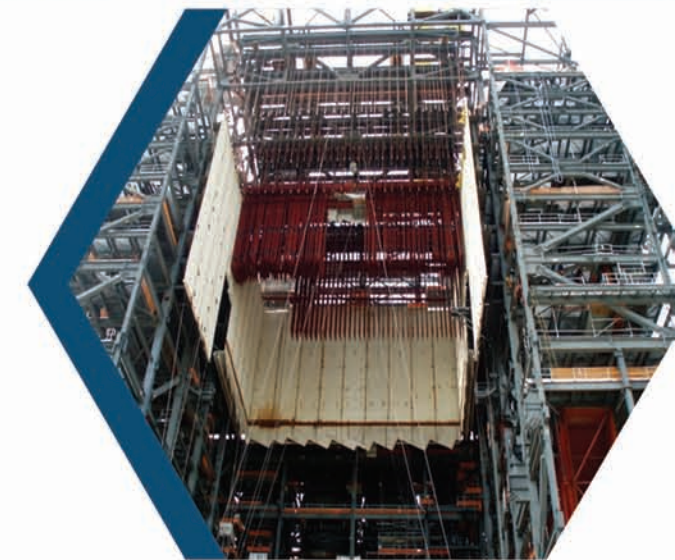
MECHANICAL CONSTRUCTION:

RSNECC is well equipped as a leader with our associate companies to perform the following Mechanical Fabrication & Installation works

- Storage Tanks
- Pressure Vessels
- Static Equipments
- Rotating Equipments
- Radiographic Test
- Air & Flue Gas Ducting
- Heat Exchangers
- Process skids
- Insulation for Equipments & Pipes
- Compressor, EOT Cranes, Fire Detectors

PIPING CONSTRUCTION

- Piping & pipeline Installation
- Valves & Other Fittings
- Pipe Supports [both mechanical & spring supports]
- Fire Fighting & System Installation
- HVAC Ventilation



E & I – CONSTRUCTION:

RSNECC is well equipped as a leader with our associate companies to perform the following E&I Fabrication & Construction works.

- Control & Relay Panels
- Cable Trays
- Cable Routing
- DCS Systems
- Industrial Automation
- Trips & Alarm Circuits
- Field Instruments
- Switches & Relays
- Control Valves
- Transformers

CIVIL CONSTRUCTION:

RSNECC is well equipped as a leader with our associate companies to perform the following Civil Fabrication & Construction works.

- Ground Excavation
- Cable & Drain Trenches
- Concrete Culverts & Road Crossings
- Tunneling
- Dyke walls
- Equipment Rooms foundation
- Industrial and High rise buildings
- Thrust blocks and Valve chambers
- Pilling Towers and Chimneys
- Pipe Support Structures



QUALITY

RSNECC assigns a quality manager to each construction project, regardless of whether it is a self-perform or construction management approach. RSNECC also develops a Quality Control Manual for each project that details the quality activities of all RSNECC personnel and subcontractor personnel, if applicable.



ACCOLADES



N. GOWRI SHANKAR

Chairman & Managing Director

CALGARY, CANADA

CALIFORNIA, US

DOHA, QATAR
ABU DHABI, UAE
MUSCAT, OMAN

GURGAON, INDIA
CHENNAI, INDIA



**RSN Engineering & Construction
Company Pvt Ltd**

www.rsnecc.com

Our Associates



RSN Infotech Pvt Ltd

www.rsninfotech.com

Our Clients



IndianOil



Registered Office:

No: 93, 1st Floor,
Kundrathur Main Road,
Porur, Chennai - 600116.

Ph: +91 44 2482 5527

E-Mail: info@rsnecc.com

Branch Office:

Gurgaon

Unit No: 804 & 805,
8th Floor, Spaze I-Tech Park,
Tower B4, Sector - 49,
Sohna Road, Gurgaon,
Haryana, India - 122001
Ph: +91 124 4545 950

Chennai

No: 76(Old No98),
Ramakrishna Main Road,
Porur, Chennai,
Tamil Nadu, India - 600116.
Ph: +91 44 2476 2990